

Safety relays

For safety light curtains

SWH4 series



Présentation

SWH4 interfaces are safety devices complying with EN61496-1 or EN 954 specifications. When connected to one or two safety light curtains, equipped with solid state PNP outputs, it actuates additional functions.

SWH4AME Model

- Start / Restart interlock function (called as well **manual restart**).
- **EDM** function is possible if you put contactors in series on restart entrance.
- Safety outputs by relay contacts (3NO + 1 NF)
- Category 4 according to EN954

SWH4 ADSR1 Model

- Start / Restart interlock function (called as well **manual restart**).
- **EDM** function (External Device Monitoring) for the monitoring of eventual external contactors
- Safety outputs by relay contacts (2NO).
- Type 4 according to EN61496-1

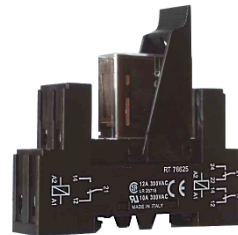
SAWR02 Model

- Safety module with guided contactors used with safety light curtains comprising EDM entrance and integrated manual restart.

SWH4 ADSR1
Model



Modèle
SWH4 AME



SAW R02
Model



The SWH4 interfaces when connected to one or two photoelectric safety barriers (in conformity with IEC61496 – 1/2) and equipped with two built-in self-tested solid state PNP outputs, constitutes a type 4 ESPE (Electro Sensitive Protective Equipment).



Whether all other characteristics specified above remain unchanged, but a type 2 barrier is used, the whole ESPE will be type 2.

SWH4 Choice

- Power supply 24VDC
- Fast attachment to din rail according to EN 50022-35.
- Connecting on screw terminal block.
- LED integrated supplying information on statement of the barrier outputs and failure diagnosis

Technical data

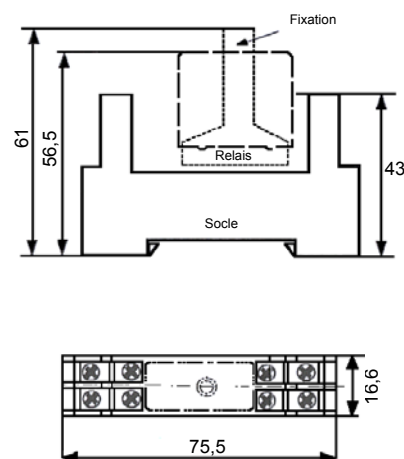
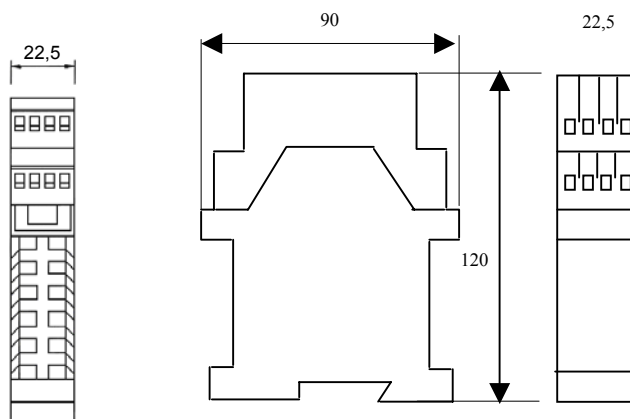
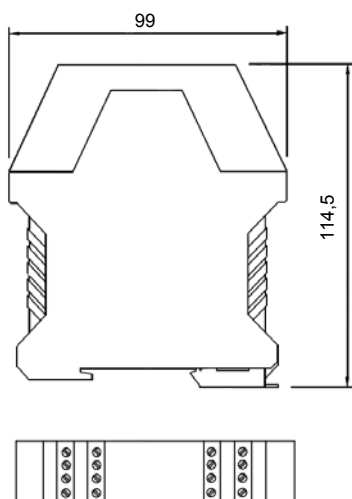
Model		SWH4AME	SWH4 ADSR1	SAW R02
Power supply	VDC	24 ± 10%	24 ± 20%	24 + 10% / -5%
Power requirement	W	3 max	5 max.	0,8 max.
Safety outputs	Relais	3 contacts NO+ 1 contact NC	2 contacts NO	2 contacts inverseurs
Power / Tension safety outputs	A/V	3 A- 250 V	2A - 250V	
Response time	ms	15 ms	20 max.	12
Operating modes		Manual or automatic, selectable from terminal block	Manual or automatic, selectable from terminal block	
External relay control		Yes (put in series on restart entrance)	Yes (on specific entrance))	
Connecting		To terminal block	To terminal block with protection against reversal of polarity	To terminal block
Operating temperature	°C	-15°C to + 55°C	0°C to 55°C	- 40°C to + 70°C
Enclosure protection rating		IP20		
Terminal block protection rating		IP2X		
Fixing		Fast attachement to standard 35mm rail		
Dimensions (h x l x p)	mm	90 x 22,5 x 118	99 x 22,5 x 114,5	75,5 x 16,6 x 61

Dimensions (mm)

SWH4 ADSR1 Model

SWH4 AME Model

SAW R02 Model



Les produits présentés dans ce document sont susceptibles d'évolutions. Les descriptions et caractéristiques ne sont pas contractuelles.



JAYSENSOR, établissement de ASTEEL DEVELOPPEMENT
 176, rue Lavoisier - Montbonnot
 F - 38334 SAINT ISMIER CEDEX
 TEL : +33 (0) 476 616 590
 FAX : +33 (0) 476 616 598
 E-MAIL : jaysensor@asteel.fr
 WEB : www.jaysensor.asteel.fr

Distributeur

JAYSENSOR - ET376C