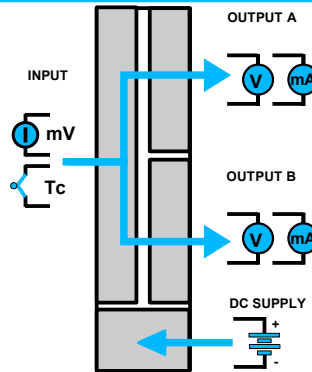


FEATURES

- Configurable input for TC and mV
- Double output configurable in current or voltage
- Configurable by dip-switch or PC
- High accuracy
- On-field reconfigurable
- Galvanic isolation among the ways
- EMC compliant – CE mark
- Suitable for DIN rail mounting in compliance with EN-50022 and EN-50035



GENERAL DESCRIPTION

The isolated doubler/converter DAT 4631 A is able to measure and linearise the standard thermocouples with internal or external cold junction compensation. In function of programming, the measured values are converted in a current or voltage signal. The device guarantees high accuracy and performances stability both versus time and temperature.

The programming is made by the dip-switch located in the window on the side of the enclosure. By means of dip-switches it is possible to select the input type and range and the output type without recalibrate the device.

Moreover, by Personal Computer the user can program all of the device's parameters for his own necessity; the configuration by PC allows to program the two outputs with two independent settings. For Thermocouple sensors it is possible to set the Cold Junction Compensation (CJC) as internal or external.

Moreover it is available the option of alarm for signal interruption (burn-out) that allows to set the output value as high or low out of scale .

The 1500 Vac galvanic isolation on all ways (input, outputs and power supply) eliminates the effects of all ground loops eventually existing and allows the use of the converter in heavy environmental conditions found in industrial applications.

The DAT 4631 A is in compliance with the Directive 2004/108/EC on the Electromagnetic Compatibility.

It is housed in a plastic enclosure of 12.5 mm thickness suitable for DIN rail mounting in compliance with EN-50022 and EN-50035 standards.

USER INSTRUCTIONS

The converter must be powered by a direct voltage applied to the terminals Q and R.

The analog channel measures the value from the sensor connected to the terminals I, L and G and transmits the output measures on the terminals N and M (OUT A) and the terminals P and O (OUT B).

The input and output connections must be made as shown in the section "Connections".

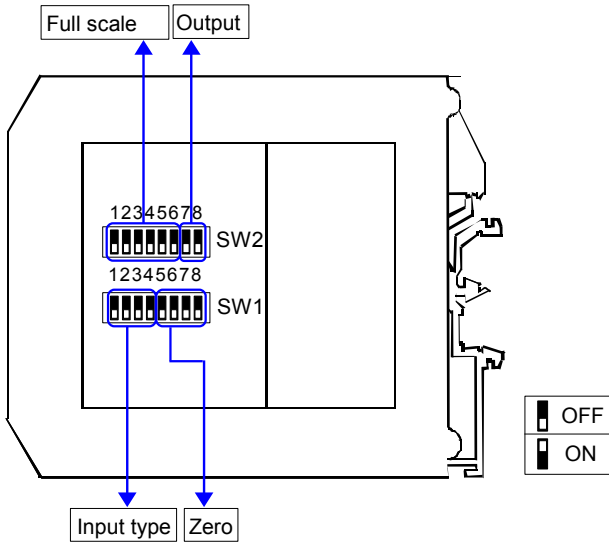
It is possible to configure the converter on field by dip-switch or Personal Computer as shown in the section " Programming ". The configuration by dip-switches can be made also if the device is powered (note: after the configuration the device takes some seconds to provide the right output measure).

TECHNICAL SPECIFICATIONS (Typical at 25 °C and in nominal conditions)

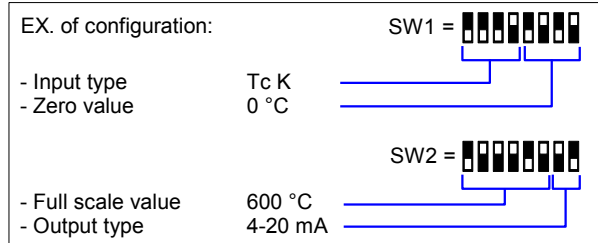
INPUT				OUTPUT (2 CHANNELS)				POWER SUPPLY		
Input type	Min	Max	Min.Span	Output type	Min	Max	Min Span			
TC (CJC int./ext.)				Current	0 mA	20 mA	4 mA	Power supply voltage	18 .. 30 Vdc	
J	-200°C	1200°C	100°C	Voltage	0 V	10 V	1 V	Reverse polarity protection	60 Vdc max	
K	-200°C	1300°C	100°C	Output calibration				Current consumption		
S	0°C	1750°C	400°C					Current output	55 mA max.	
R	0°C	1750°C	400°C	Current	± 7 uA			Voltage output	25 mA max.	
B	0°C	1850°C	400°C	Voltage	± 5 mV			ISOLATION		
E	-200°C	1000°C	100°C	Burn-out values			Among all ways			
T	-200°C	400°C	100°C	Max. output value	22 mA or 10.6 V			1500 Vac,		
N	-200°C	1300°C	100°C	Min. output value	0 mA or -0.6 V			50 Hz, 1 min		
Voltage				Output load Resistance - Rload			TEMPERATURE AND HUMIDITY			
mV	-100 mV	+90 mV	5 mV	Current output	< 500 Ω			Operative temperature		
mV	-100 mV	+200 mV	10 mV	Voltage output	> 10 KΩ			-20°C .. +60°C		
mV	-100 mV	+800 mV	20 mV	Short circuit current	26 mA max.			Storage temperature		
Input calibration (1)				Response time (10÷ 90%)				Humidity (not condensed)		0 .. 90 %
mV, TC the higher of ± 0.1% f.s. and ±12 uV				about 500 ms				HOUSING		
Linearity (1)								Material		
TC ± 0.2 % f.s.								Self-extinguishing plastic		
mV ± 0.1 % f.s.								Mounting		
Input impedance								DIN rail in compliance		
TC, mV >= 10 MΩ								with EN-50022 and		
Line resistance influence (1)								EN-50035		
TC, mV <=0.8 uV/Ohm								Weight		
Thermal drift (1)								about 90 g.		
Full scale ± 0.01% / °C								EMC (for industrial environments)		
CJC ± 0.01% / °C								Immunity		
CJC comp. ± 0.5°C								Emission		
(1)referred to the input Span (difference between max. and min.)								EN 61000-6-2		
								EN 61000-6-4		

PROGRAMMING

CONFIGURATION BY DIP-SWITCHES



- 1) Open the suitable door on the side of the device.
- 2) Set the input type by the dip-switch SW1 [1..4] (see TAB.1)
- 3) Set the minimum input scale value (Zero) by the dip-switch SW1 [5..8] (see TAB.3)
- 4) Set the maximum input value (Full scale) by the dip-switch SW2 [1..6] (see TAB.3)
- 5) Set the output type by the dip-switch SW2 [7..8] (see TAB.2)



NOTE:

- It is also possible to set the dip-switches using the wizard of the configuration software following the procedure described in the section "Configuration by PC" until the step 6 and clicking on "Switch".

DIP-SWITCH CONFIGURATION TABLES

TAB.1
Input type setting

SW1 1 2 3 4	SW1 1 2 3 4
	EPROM *
	Tc K
	Tc R
	Tc S
	Tc T
	Tc B
	Tc E
	Tc N
	Tc J

TAB.2
Output setting

SW2 7 8	
	0-20 mA
	4-20 mA
	0-10 V
	0-5 V

TAB.3 – Input scale setting

Zero		Full Scale		Full Scale		Full Scale		Full Scale	
SW1 5 6 7 8	°C	SW2 1 2 3 4 5 6	°C	SW2 1 2 3 4 5 6	°C	SW2 1 2 3 4 5 6	°C	SW2 1 2 3 4 5 6	°C
	Default		Default		75		225		700
	-200		0		80		250		750
	-100		5		85		255		800
	-80		10		90		275		850
	-60		15		95		300		900
	-50		20		100		325		950
	-40		25		110		350		1000
	-30		30		120		375		1100
	-20		35		130		400		1200
	-10		40		140		425		1300
	0		45		150		450		1400
	10		50		160		475		1500
	20		55		170		500		1600
	50		60		180		550		1750
	100		65		190		600		1800
	150		70		200		650		1850

NOTES:

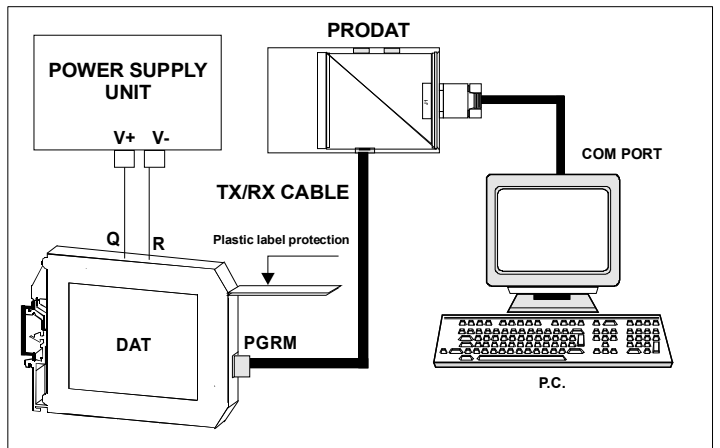
- * If the dip-switches SW1 [1..4] are all set in the position 0 ("EPROM"), the device will follow the configuration programmed by PC (input type and range, output type and range and options).
- * For all the "Tc" type selected by dip-switches, the cold junction compensation is internal.
- * If the dip-switches SW1 [5..8] are all set in the position 0 ("Default"), the device will follow the input scale programmed by PC for the input type selected by the dip-switches SW1 [1..4]
- * Eventual wrong dip-switches settings will be signalled by the blinking of the led "PWR".

CONFIGURATION BY PC

- By software DATESOFT it is possible to:
- set the default programming of the device;
 - program the options not available with the dip-switch;
 - (burn-out level, CJC offset, etc...);
 - read, in real time, the input and output measures;
 - follow the dip-switches configuration wizard.

To configure the device follow the next steps:

- 1) Power-on the device.
- 2) Open the protection plastic label on the front of the device.
- 3) Connect the interface PRODAT to the PC (COM port) and to the device (PGRM connector).
- 4) Open DATESOFT.
- 5) Select the COM port in use.
- 6) Click on "Open COM".
- 7) Click on "Program".
- 8) Set the programming data.
- 9) Click on "Write" to send the programming data to the device.



Warning: during these operations the device must always be powered and the TX/RX cable always connected.
For information about DATESOFT refer to the software's user guide.

INSTALLATION INSTRUCTIONS

The device is suitable for fitting to DIN rails in the vertical position. For optimum operation and long life follow these instructions:

When the devices are installed side by side it may be necessary to separate them by at least 5 mm in the following cases:

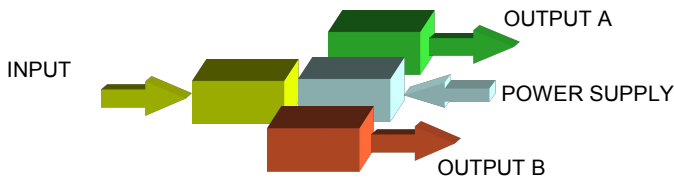
- If panel temperature exceeds 45°C.
- Use of high power supply value (> 27 Vdc).
- Use of output current.

Make sure that sufficient air flow is provided for the device avoiding to place raceways or other objects which could obstruct the ventilation slits. Moreover it is suggested to avoid that devices are mounted above appliances generating heat; their ideal place should be in the lower part of the panel.

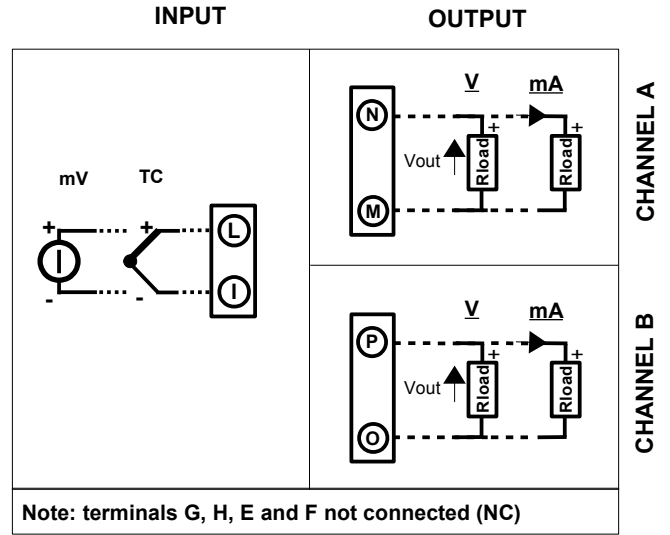
Install the device in a place without vibrations.

Moreover it is suggested to avoid routing conductors near power signal cables (motors, induction ovens, inverters etc...) and to use shielded cable for connecting signals.

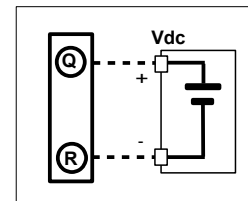
ISOLATION STRUCTURE



CONNECTIONS



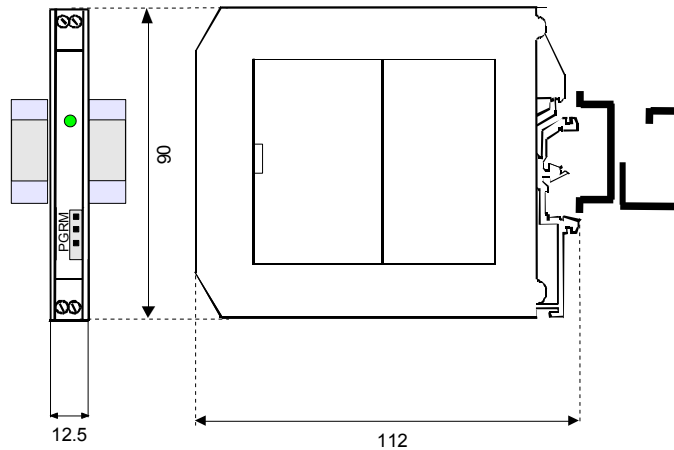
POWER SUPPLY



LIGHT SIGNALLING

LED	COLOUR	STATE	DESCRIPTION
PWR	GREEN	ON	Device powered
		OFF	Device not powered
		BLINKING	Wrong dip-switches setting

DIMENSIONS (mm)



HOW TO ORDER

The device is provided as requested on the Customer's order. Refer to the section "Programming" to determine the input and output ranges. In case of the configuration is not specified, the parameters must be set by the user.

ORDER CODE EXAMPLE:

DAT 4631A / Tc K / 0÷1200 °C / 4 ÷ 20 mA / CJC Int.

