

Inductive Proximity Switches

Contents

Design, Functions and Definitions	Pages 3-6
Dimensions and Technical Data	
Standard Length EGT models for AC and DC supply	Pages 7 - 17
Short Length EGL Models for DC supply	Pages 18 -25
Flat Profile Models for DC supply	Page 26
Block Housing for DC supply	Page 27
Connection Plug, Ordering Code	Page 28

Inductive Proximity Switches

Built for extreme conditions

Inductive Proximity Switches are solid state switching devices which require no physical contact to actuate them

Used for control and positioning signals, they can be connected directly into conventional or electronic control systems. The need for such switching devices has increased in recent times as manufacturing plants, as well as machines in general have become more automated. The combination of high quality materials and advanced technology in the construction of these switches ensures a very high degree of precision and reliability under the most arduous conditions.

The main advantages for inductive proximity switches are :

exceptionally **long life** and **high switching speeds** (up to 5 million per hour) ;

no-touch, zero, operation force (no actuator or plunger required) ;

wear and maintenance free operation (solid state, no moving parts) ;

bounce free signals (no spurious signals through contact bounce) ;

reliable switching under extreme conditions.

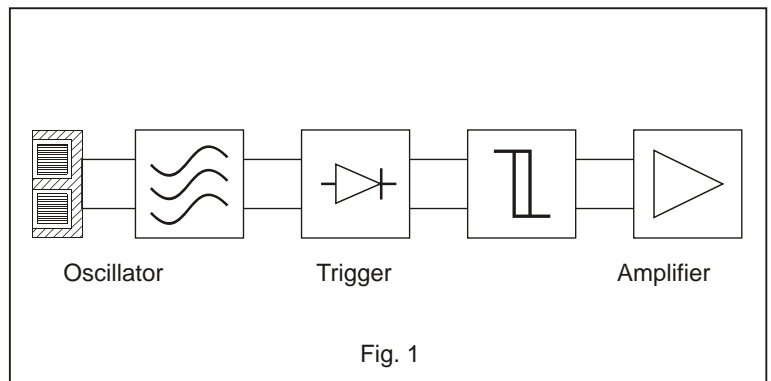
Fully waterproof (insensitive to strong vibrations, dirty environments, rapid temperature changes).

The Switch Concept. Design, Function and Definitions.

Design and Function. : The electronic Inductive Proximity switch comprises of three principle Parts :

1) The oscillator. 2) A trigger stage and 3) amplifier stage (see figure 1)

The Oscillator generates, with its coil, a high frequency electromagnetic field of approximately spherical distribution. Any metallic object introduced into this field absorbs energy from the oscillator by induced eddy currents. This reduces the amplitude of the oscillations and this change triggers the out put stage. **This type of oscillator will respond to any type of metal.**



Definitions :

Sensing Face. : The sensing face of an inductive proximity switch is the surface from which the electromagnetic field radiates. The sensing faces of inductive proximity switches are clearly marked with a system of colours or rings.

Sensing Distances.

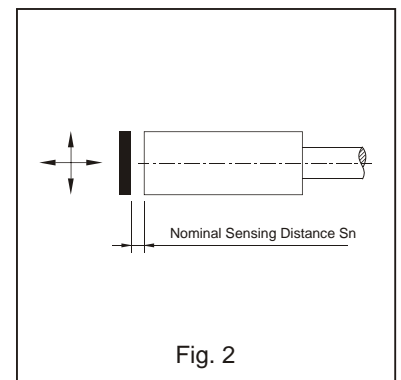
The sensing distance is the maximum distance between the target and the sensing face to be sure of obtaining a switching signal. This distance is measured using a square mild steel (St 37) target 1 mm in thickness. The sides of the square target should be equal to the diameter of the sensing face of the inductive proximity switch (EN 50 010).

The Nominal sensing distance S_n is a reference dimension only and does not take into account temperature or voltage variations.

The Effective sensing distance S_r is the distance measured at nominal voltage and ambient temperature. ($0.9 S_n \leq S_r \leq 1.1 S_n$)

The Usable sensing distance S measured within a given voltage and temperature range. ($0.9 S_r \leq S \leq 1.1 S_r$)

The Working sensing distance is every sensing distance which guarantees operation under given temperature and voltage conditions. This distance can be selected between 0 and the usable sensing distance.



Inductive Proximity Switches

Reduction Factor.

If the target of the inductive proximity switch is manufactured from a material other than mild steel (St 37) or if the target varies in thickness and area from the standard target, then the sensing distance will vary.

Material	Reduction Factor
Steel (St.37)	1.0
Brass	0.35...0.5
Copper	0.25...0.45
Aluminium	0.35...0.5
Stainless Steel	0.60...1.0

Repeat Accuracy.

The repeat accuracy is the reproduction accuracy between two successive operations under the same ambient conditions.

Switch Hysteresis.

The Switch hysteresis is the difference between the switch ON point, when the target approaches the sensing face of the inductive proximity switch and the switch OFF point, when the target moves away from the sensing face. (see fig.3). The graphs shown in figure 4 indicate the Switch ON and Switch OFF points of various switches when the target approaches the switch in a radial direction in relation with the axial distance of the target from the sensing face.

Temperature Drift.

The temperature drift is the change in switch point in m/K due to variations in ambient temperature conditions when all other conditions remain constant.

Installation.

Inductive proximity switches are suitable for **flush fitting** or **non-flush fitting**.

Flush Fitting. Inductive proximity switches intended for flush fitting are not affected by surrounding metal and can be installed immediately adjacent to metal surfaces. (see figure 5)

Non-flush fitting. Inductive proximity switches not intended for flush fitting can be affected by surrounding metal surfaces and must be installed with a metal free zone or non-damping material adjacent to the sensing face. (see figure 6)

Important Fitting Instructions.

Inductive proximity switches with threaded housings are clamped in position using two nuts. If these nuts are over tightened it is possible to damage the switch housing.

For this reason care should be taken that tightening torques mentioned below should not be exceeded.

Models	Max. Tightening Torque (Nm)
EGT08	12
EGT12	28
EGT18	40
EGT30	40

The Inductive Proximity Switch in Practice Electrical Characteristics.

Voltages.

Inductive proximity switches are designed for AC or DC operation. Refer to technical data in this catalogue for specific details of voltages ranges for the individual switch types.

The operating voltage is the voltage which can be used to operate the inductive proximity switch.

Note : Two wire proximity switches must only be used in series with the load.

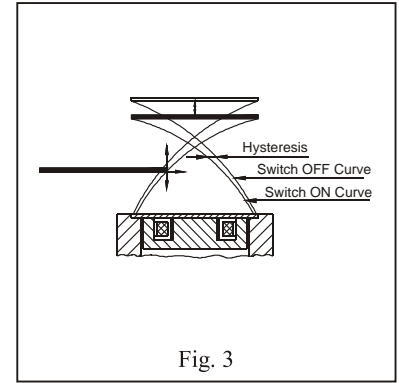


Fig. 3

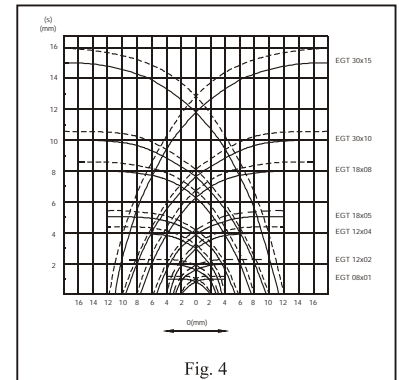


Fig. 4

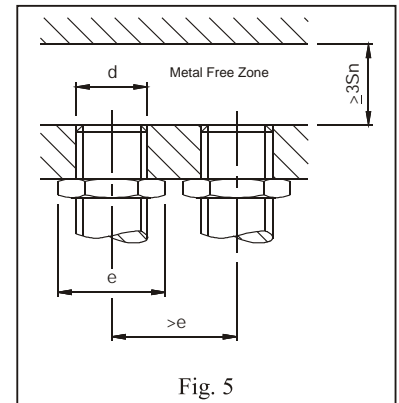


Fig. 5

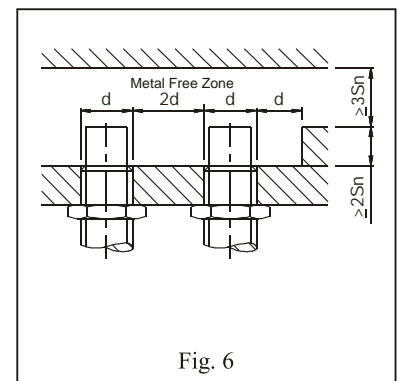


Fig. 6

Inductive Proximity Switches

The Voltage Drop U_d is the voltage measured between the energized output and the switched potential at the rated current I_a of the switch

Ripple voltage.

The ripple voltage is the AC voltage U_{br} (peak to peak) superimposed on the mean DC voltage U expressed as a percentage. (see figure 7) The provision of smooth DC supply within 10% (to DIN 41755) maximum ripple is absolutely essential for effective operation DC switches. When using a single phase rectified supply the appropriate smoothing capacitor should be used.

$$U_{br}/U.100 [\%]$$

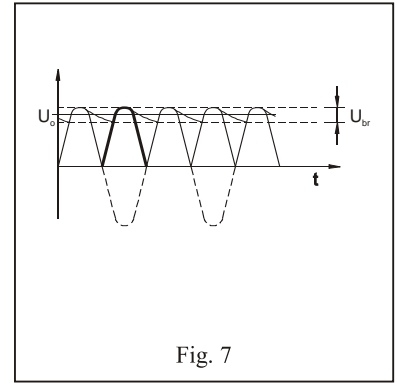


Fig. 7

Currents.

The Load Current I_A is the maximum current at which the inductive proximity switch can be continuously operated.

The Inrush Current I_k is the maximum current which can flow, from the moment that the switch is on, for a specified time.

The No-load Current is the current consumed by the switch at the maximum operating voltage without there being any external load current.

The Residual Current I_r is the current which flows through the load even when the switch is in its blocked state. In practice this is only to be considered for two wire switches.

Holding Current I_H is the least current necessary to ensure correct functioning of an actuated 2 Wire switch.

Switch frequency.

The Switch frequency is the maximum number of switching functions per second. The method of measurement must conform to EN 50010. Refer to the technical data in this catalogue which indicates the maximum switching frequencies for each individual type of switch.

The methods of protection.

Inductive proximity switches have an environmental protection to IP67 to DIN 40050. The following methods protection ensure particularly reliable operation for all users of inductive proximity switches.

The short circuit protection. Switches with built-in short circuit and overload protection are protected against damage to the output stage. Pulsed short circuit protection is used in which the output transistor is switched OFF and ON in quick succession. This enables the switch to function normally on removal of the short circuit condition.

Reverse polarity protection. The inductive proximity switches are protected against damage due to inverted supply line connection.

The transient voltage protection. Inductive proximity switches are protection against damage caused by supply line transient voltages. In order to prevent unusually high transient voltages which can destroy the switch or activate the short circuit protection, **the supply line should be separated from cables which carry high currents for motors, clutches and magnets.** If in doubt, please contact our technical personnel.

Power Supply.

The provision of a smoothed D.C. operating voltage with a maximum ripple of 10% is essential for the effective operation of D.C. proximity switches. The circuit shown in figure 8 is a suggestion for loads up to 1000mA.

Load Current (mA)	C rating in F
200	1000
500	2200
1000	4700

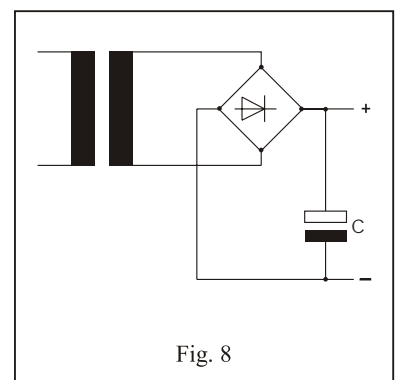


Fig. 8

Testing Suggestions : When testing inductive proximity switches, normal filament lamps must never be used without an additional series resistor. This is important because when a filament lamp is cold it has a very low resistance and hence a high inrush current. This can destroy the proximity switch. We recommend for testing a voltmeter or preferably an oscilloscope.

Inductive Proximity Switches

Series and Parallel Connection of Proximity Switches :

Series Connection of 3 and 4 Wire DC switches (AND Logic) : Used when it is necessary to obtain two or more corresponding signals before an action is carried out. It is necessary to take into account the voltage drop U_d present at the output of each switch which will reduce the voltage available at the load correspondingly.(see fig.9)

Parallel Connection of 3 and 4 Wire DC switches (OR Logic) : Used when any one of the switches are required to activate the load. (see fig.10)

Series Connection of 2 Wire AC and DC switches (AND Logic) : see note above for Series connection of 3 and 4 wire switches.(see fig.11)

Parallel Connection of 2 Wire AC and DC switches (OR Logic) : It is necessary to take into account the cumulative no-load currents of each of the switches which would flow through the Load in the unactuated condition of the switch. This could under circumstances trigger of the load without actually operating the switch.(see fig.12)

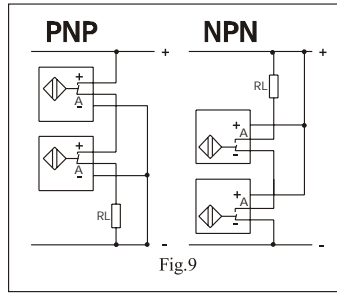


Fig.9

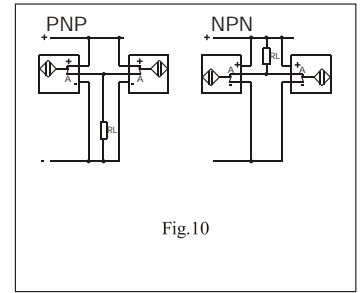


Fig.10

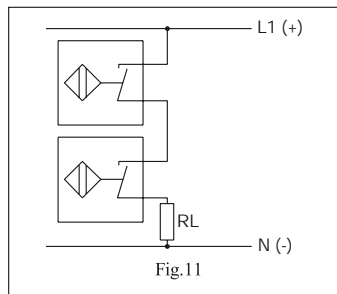


Fig.11

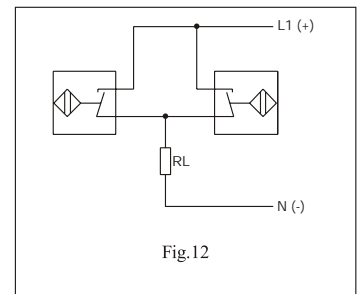
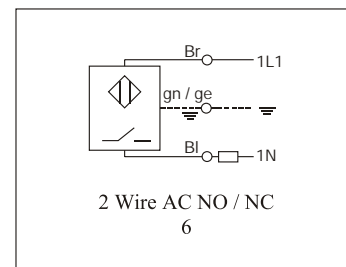
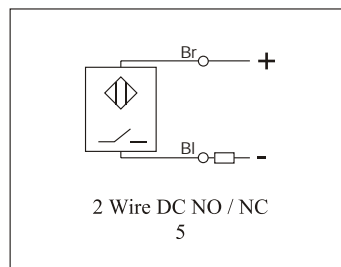
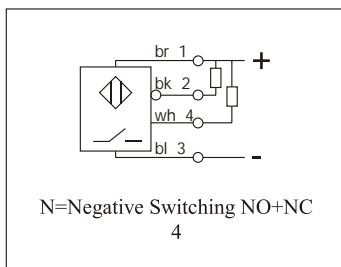
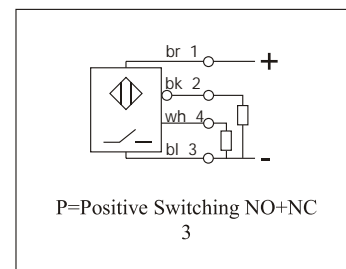
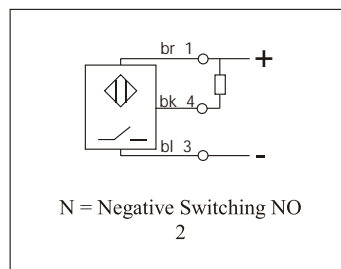
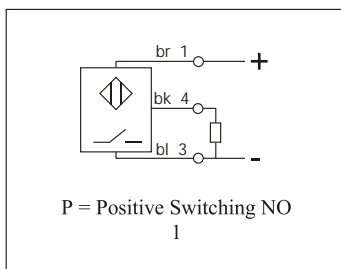


Fig.12

Connection Diagrams .



Inductive Proximity Switches

Cylindrical Housing M8 x 1 EGT Version 3 Wire D.C. Standard Switching Distance				
	Type : EGT08X01		Type : EGT08X1,5	
Technical Data	DC Operating Voltage		DC Operating Voltage	
Housing Material	Stainless Steel		Stainless Steel	
Environmental Protection	IP67		IP67	
Mounting Position	Optional		Optional	
Operating Temperature (deg.C)	-25 to +70		-25 to +70	
Connection	Encapsulated Oil Resistant Cable		Encapsulated Oil Resistant Cable	
Cable Length (mm)	2000 or 5000		2000 or 5000	
Conductor Cross Section (mm ²)	0.14		0.14	
Sensing Distance Sn (mm)	Flush Fitting = 1		Flush Fitting = 1.5	
Switch Point Hysteresis H (mm)	0.15		0.2	
Repeat Accuracy (mm)	0.05		0.1	
Operating Voltage (V)	10-30		10-30	
Operating Voltage Ripple (%)	10		10	
Load Current Ia (mA) max	250		250	
Residual Current Ir (mA)	0.001		0.001	
No-Load Current (mA)	11		11	
Voltage Drop Ud (V)	1.3		1.3	
Internal Resistance Ri (K)	10		10	
Temperature Drift S (µm/K)	± 3		± 3	
Switching Frequency (Hz)	2000		2000	
Output Polarity	PNP		NPN	
Output Function	A=NO		A=NO	
Connection Diagram	1		2	
Short Circuit Protection	yes		yes	
Status Indication	LED (see ordering code)		LED (see ordering code)	

Cylindrical Housing M8 x 1 EGT Version 3 Wire D.C. Standard Switching Distance				
	Type : EGT08X01-SEM4		Type : EGT08X1,5-SEM4	
Technical Data	DC Operating Voltage		DC Operating Voltage	
Housing Material	Stainless Steel		Stainless Steel	
Environmental Protection	IP67		IP67	
Mounting Position	Optional		Optional	
Operating Temperature (deg.C)	-25 to +70		-25 to +70	
Connection	Plug and Socket		Plug and Socket	
Cable Length (mm)	-		-	
Conductor Cross Section (mm ²)	-		-	
Sensing Distance Sn (mm)	Flush Fitting = 1		Flush Fitting = 1.5	
Switch Point Hysteresis H (mm)	0.15		0.2	
Repeat Accuracy (mm)	0.05		0.1	
Operating Voltage (V)	10-30		10-30	
Operating Voltage Ripple (%)	10		10	
Load Current Ia (mA) max	250		250	
Residual Current Ir (mA)	0.001		0.001	
No-Load Current (mA)	11		11	
Voltage Drop Ud (V)	1.3		1.3	
Internal Resistance Ri (K)	10		10	
Temperature Drift S (µm/K)	± 3		± 3	
Switching Frequency (Hz)	2000		2000	
Output Polarity	PNP		NPN	
Output Function	A=NO		A=NO	
Connection Diagram	1		2	
Short Circuit Protection	yes		yes	
Status Indication	LED (see ordering code)		LED (see ordering code)	

Inductive Proximity Switches

Cylindrical Housing M12 x 1 EGT Version 3 / 4 Wire D.C. Standard Switching Distance								
	Technical Data	Type : EGT12X02	Type : EGT12X04					
Housing Material	DC Operating Voltage		DC Operating Voltage					
Environmental Protection	Brass Nickel Plated		Brass Nickel Plated					
Mounting Position	IP67		IP67					
Operating Temperature (deg.C)	Optional		Optional					
Connection	-25 to +70		-25 to +70					
Cable Length (mm)	Encapsulated Oil Resistant Cable		Encapsulated Oil Resistant Cable					
Conductor Cross Section (mm ²)	2000 or 5000		2000 or 5000					
Sensing Distance Sn (mm)	0.34		0.34					
Switch Point Hysteresis H (mm)	Flush Fitting = 2		Non-Flush Fitting = 4					
Repeat Accuracy (mm)	0.2		0.6					
Operating Voltage (V)	0.1		0.3					
Operating Voltage Ripple (%)	10-30		10-30					
Load Current Ia (mA) max	10		10					
Residual Current Ir (mA)	250		250					
No-Load Current (mA)	0.001		0.001					
Voltage Drop Ud (V)	15		15					
Internal Resistance Ri (K)	2.5		2.5					
Temperature Drift S (µm/K)	4.7		4.7					
Switching Frequency (Hz)	± 4		± 8					
Output Polarity	1000		1000					
Output Function	PNP		NPN					
Connection Diagram	A=NO	U=NO+NC	A=NO	U=NO+NC	A=NO	U=NO+NC	A=NO	U=NO+NC
Short Circuit Protection	1	3	2	4	1	3	2	4
Status Indication	yes	yes	yes	yes	yes	yes	yes	yes
	LED (see ordering code)				LED (see ordering code)			

Cylindrical Housing M12 x 1 EGT Version 3 / 4 Wire D.C. Standard Switching Distance								
	Technical Data	Type : EGT12X02-SEM4	Type : EGT12X04-SEM4					
Housing Material	DC Operating Voltage		DC Operating Voltage					
Environmental Protection	Brass Nickel Plated		Brass Nickel Plated					
Mounting Position	IP67		IP67					
Operating Temperature (deg.C)	Optional		Optional					
Connection	-25 to +70		-25 to +70					
Cable Length (mm)	Plug and Socket		Plug and Socket					
Conductor Cross Section (mm ²)	-		-					
Sensing Distance Sn (mm)	Flush Fitting = 2		Non-Flush Fitting = 4					
Switch Point Hysteresis H (mm)	0.2		0.6					
Repeat Accuracy (mm)	0.1		0.3					
Operating Voltage (V)	10-30		10-30					
Operating Voltage Ripple (%)	10		10					
Load Current Ia (mA) max	250		250					
Residual Current Ir (mA)	0.001		0.001					
No-Load Current (mA)	15		15					
Voltage Drop Ud (V)	2.5		2.5					
Internal Resistance Ri (K)	4.7		4.7					
Temperature Drift S (µm/K)	± 4		± 8					
Switching Frequency (Hz)	1000		1000					
Output Polarity	PNP		NPN					
Output Function	A=NO	U=NO+NC	A=NO	U=NO+NC	A=NO	U=NO+NC	A=NO	U=NO+NC
Connection Diagram	1	3	2	4	1	3	2	4
Short Circuit Protection	yes	yes	yes	yes	yes	yes	yes	yes
Status Indication	LED (see ordering code)				LED (see ordering code)			

Inductive Proximity Switches

Cylindrical Housing M12 x 1 EGT Version 3 Wire D.C. Extended Switching Distance																		
	Technical Data Type : EGT12B04																	
	DC Operating Voltage																	
Housing Material	Brass Nickel Plated																	
Environmental Protection	IP67																	
Mounting Position	Optional																	
Operating Temperature (deg.C)	-25 to +70																	
Connection	Encapsulated Oil Resistant Cable																	
Cable Length (mm)	2000 or 5000																	
Conductor Cross Section (mm²)	0.34																	
Sensing Distance Sn (mm)	Flush Fitting = 4																	
Switch Point Hysteresis H (mm)	0.4																	
Repeat Accuracy (mm)	0.2																	
Operating Voltage (V)	10-30																	
Operating Voltage Ripple (%)	10																	
Load Current Ia (mA) max	200																	
Residual Current Ir (mA)	0.001																	
No-Load Current (mA)	15																	
Voltage Drop Ud (V)	2.5																	
Internal Resistance Ri (K)	4.7																	
Temperature Drift S (µm/K)	± 8																	
Switching Frequency (Hz)	1000																	
Output Polarity	<table border="1"> <thead> <tr> <th colspan="2">PNP</th> <th colspan="2">NPN</th> </tr> <tr> <th>A=NO</th> <th>U=NO+NC</th> <th>A=NO</th> <th>U=NO+NC</th> </tr> </thead> <tbody> <tr> <td>1</td> <td>3</td> <td>2</td> <td>4</td> </tr> <tr> <td>yes</td> <td>yes</td> <td>yes</td> <td>yes</td> </tr> </tbody> </table>		PNP		NPN		A=NO	U=NO+NC	A=NO	U=NO+NC	1	3	2	4	yes	yes	yes	yes
PNP		NPN																
A=NO	U=NO+NC	A=NO	U=NO+NC															
1	3	2	4															
yes	yes	yes	yes															
Output Function																		
Connection Diagram																		
Short Circuit Protection																		
Status Indication	LED (see ordering code)																	

Cylindrical Housing M12 x 1 EGT Version 3 Wire D.C. Extended Switching Distance																		
	Technical Data Type : EGT12B04-SEM4																	
	DC Operating Voltage																	
Housing Material	Brass Nickel Plated																	
Environmental Protection	IP67																	
Mounting Position	Optional																	
Operating Temperature (deg.C)	-25 to +70																	
Connection	Plug and Socket																	
Cable Length (mm)	-																	
Conductor Cross Section (mm²)	-																	
Sensing Distance Sn (mm)	Flush Fitting = 4																	
Switch Point Hysteresis H (mm)	0.4																	
Repeat Accuracy (mm)	0.2																	
Operating Voltage (V)	10-30																	
Operating Voltage Ripple (%)	10																	
Load Current Ia (mA) max	200																	
Residual Current Ir (mA)	0.001																	
No-Load Current (mA)	15																	
Voltage Drop Ud (V)	2.5																	
Internal Resistance Ri (K)	4.7																	
Temperature Drift S (µm/K)	± 8																	
Switching Frequency (Hz)	1000																	
Output Polarity	<table border="1"> <thead> <tr> <th colspan="2">PNP</th> <th colspan="2">NPN</th> </tr> <tr> <th>A=NO</th> <th>U=NO+NC</th> <th>A=NO</th> <th>U=NO+NC</th> </tr> </thead> <tbody> <tr> <td>1</td> <td>3</td> <td>2</td> <td>4</td> </tr> <tr> <td>yes</td> <td>yes</td> <td>yes</td> <td>yes</td> </tr> </tbody> </table>		PNP		NPN		A=NO	U=NO+NC	A=NO	U=NO+NC	1	3	2	4	yes	yes	yes	yes
PNP		NPN																
A=NO	U=NO+NC	A=NO	U=NO+NC															
1	3	2	4															
yes	yes	yes	yes															
Output Function																		
Connection Diagram																		
Short Circuit Protection																		
Status Indication	LED (see ordering code)																	

Inductive Proximity Switches

Cylindrical Housing M12 x 1 EGT Version 2 Wire D.C. Standard Switching Distance				
	Technical Data	Type : EGT12X02-AD/RD		Type : EGT12X04-AD/RD
Housing Material	Brass Nickel Plated		Brass Nickel Plated	
Environmental Protection	IP67		IP67	
Mounting Position	Optional		Optional	
Operating Temperature (deg.C)	-25 to +70		-25 to +70	
Connection	Encapsulated Oil Resistant Cable		Encapsulated Oil Resistant Cable	
Cable Length (mm)	2000 or 5000		2000 or 5000	
Conductor Cross Section (mm ²)	0.34		0.34	
Sensing Distance Sn (mm)	Flush Fitting = 2		Non-Flush Fitting = 4	
Switch Point Hysteresis H (mm)	0.2		0.6	
Repeat Accuracy (mm)	0.1		0.3	
Operating Voltage (V)	10-30		10-30	
Operating Voltage Ripple (%)	10		10	
Load Current Ia (mA) max	200		200	
Residual Current Ir (mA)	1.0		1.0	
Holding Current Im (mA)	4		4	
Voltage Drop Ud (V)	7.5		7.5	
Internal Resistance Ri (K)	-		-	
Temperature Drift S (µm/K)	± 4		± 8	
Switching Frequency (Hz)	400		400	
Output Polarity	-		-	
Output Function	A=NO	R=NC	A=NO	R=NC
Connection Diagram	5	5	5	5
Short Circuit Protection	yes	yes	yes	yes
Status Indication	LED (see ordering code)		LED (see ordering code)	

Cylindrical Housing M12 x 1 EGT Version 2 Wire D.C. Standard Switching Distance				
	Technical Data	Type : EGT12X02-SEM4-AD/RD		Type : EGT12X04-SEM4-AD/RD
Housing Material	Brass Nickel Plated		Brass Nickel Plated	
Environmental Protection	IP67		IP67	
Mounting Position	Optional		Optional	
Operating Temperature (deg.C)	-25 to +70		-25 to +70	
Connection	Plug and Socket		Plug and Socket	
Cable Length (mm)	-		-	
Conductor Cross Section (mm ²)	-		-	
Sensing Distance Sn (mm)	Flush Fitting = 2		Non-Flush Fitting = 4	
Switch Point Hysteresis H (mm)	0.2		0.6	
Repeat Accuracy (mm)	0.1		0.3	
Operating Voltage (V)	10-30		10-30	
Operating Voltage Ripple (%)	10		10	
Load Current Ia (mA) max	200		200	
Residual Current Ir (mA)	1.0		1.0	
Holding Current Im (mA)	4		4	
Voltage Drop Ud (V)	7.5		7.5	
Internal Resistance Ri (K)	-		-	
Temperature Drift S (µm/K)	± 4		± 8	
Switching Frequency (Hz)	400		400	
Output Polarity	-		-	
Output Function	A=NO	R=NC	A=NO	R=NC
Connection Diagram	5	5	5	5
Short Circuit Protection	yes	yes	yes	yes
Status Indication	LED (see ordering code)		LED (see ordering code)	

Inductive Proximity Switches

Cylindrical Housing M12 x 1 EGT Version 2 Wire A.C. Standard Switching Distance				
	Technical Data	Type : EGT12X02AW	Type : EGT12X04AW	
	AC Operating Voltage		AC Operating Voltage	
Housing Material	Brass Nickel Plated		Brass Nickel Plated	
Environmental Protection	IP67		IP67	
Mounting Position	Optional		Optional	
Operating Temperature (deg.C)	-25 to +70		-25 to +70	
Connection	Encapsulated Oil Resistant Cable		Encapsulated Oil Resistant Cable	
Cable Length (mm)	2000 or 5000		2000 or 5000	
Conductor Cross Section (mm ²)	0.5		0.5	
Sensing Distance Sn (mm)	Flush Fitting = 2		Non-Flush Fitting = 4	
Switch Point Hysteresis H (mm)	0.4		0.6	
Repeat Accuracy (mm)	0.1		0.4	
Operating Voltage (V)	90-250		90-250	
Load Current Ia (mA) max	250		250	
Inrush Current Ik (A) 20 ms	1.5		1.5	
Residual Current Ir (mA)	3		3	
Holding Current Ih (mA)	10		10	
Voltage Drop Ud (V)	9 (90-250 V)		9 (90-250 V)	
Internal Resistance Ri (K)	-		-	
Temperature Drift S (µm/K)	± 4		± 8	
Switching Frequency (Hz)	10		10	
Output Polarity	-		-	
Output Function	A=NO	R=NC	A=NO	R=NC
Connection Diagram	6	6	6	6
Short Circuit Protection	no	no	no	no
Status Indication	LED (see ordering code)		LED (see ordering code)	

Cylindrical Housing M12 x 1 EGT Version 2 Wire A.C. Standard Switching Distance				
	Technical Data			
Housing Material				
Environmental Protection				
Mounting Position				
Operating Temperature (deg.C)				
Connection				
Cable Length (mm)				
Conductor Cross Section (mm ²)				
Sensing Distance Sn (mm)				
Switch Point Hysteresis H (mm)				
Repeat Accuracy (mm)				
Operating Voltage (V)				
Load Current Ia (mA) max				
Inrush Current Ik (A) 20 ms				
Residual Current Ir (mA)				
Holding Current Ih (mA)				
Voltage Drop Ud (V)				
Internal Resistance Ri (K)				
Temperature Drift S (µm/K)				
Switching Frequency (Hz)				
Output Polarity				
Output Function				
Connection Diagram				
Short Circuit Protection				
Status Indication			LED (see ordering code)	

Inductive Proximity Switches

Cylindrical Housing M18 x 1 EGT Version 3 / 4 Wire D.C. Standard Switching Distance								
	Technical Data Type : EGT18X05	DC Operating Voltage DC Operating Voltage	Technical Data Type : EGT18X08					
Housing Material	Brass Nickel Plated	Housing Material	Brass Nickel Plated					
Environmental Protection	IP67	Environmental Protection	IP67					
Mounting Position	Optional	Mounting Position	Optional					
Operating Temperature (deg.C)	-25 to +70	Operating Temperature (deg.C)	-25 to +70					
Connection	Encapsulated Oil Resistant Cable	Connection	Encapsulated Oil Resistant Cable					
Cable Length (mm)	2000 or 5000	Cable Length (mm)	2000 or 5000					
Conductor Cross Section (mm²)	0.34	Conductor Cross Section (mm²)	0.34					
Sensing Distance Sn (mm)	Flush Fitting = 5	Sensing Distance Sn (mm)	Non-Flush Fitting = 8					
Switch Point Hysteresis H (mm)	0.5	Switch Point Hysteresis H (mm)	0.8					
Repeat Accuracy (mm)	0.2	Repeat Accuracy (mm)	0.4					
Operating Voltage (V)	10-30	Operating Voltage (V)	10-30					
Operating Voltage Ripple (%)	10	Operating Voltage Ripple (%)	10					
Load Current Ia (mA) max	250	Load Current Ia (mA) max	250					
Residual Current Ir (mA)	0.001	Residual Current Ir (mA)	0.001					
No-Load Current (mA)	15	No-Load Current (mA)	15					
Voltage Drop Ud (V)	2.5	Voltage Drop Ud (V)	2.5					
Internal Resistance Ri (K)	4.7	Internal Resistance Ri (K)	4.7					
Temperature Drift S (µm/K)	± 10	Temperature Drift S (µm/K)	± 16					
Switching Frequency (Hz)	500	Switching Frequency (Hz)	500					
Output Polarity	PNP		NPN		PNP		NPN	
Output Function	A=NO	U=NO+NC	A=NO	U=NO+NC	A=NO	U=NO+NC	A=NO	U=NO+NC
Connection Diagram	1	3	2	4	1	3	2	4
Short Circuit Protection	yes	yes	yes	yes	yes	yes	yes	yes
Status Indication	LED (see ordering code)				LED (see ordering code)			

Cylindrical Housing M18 x 1 EGT Version 3 / 4 Wire D.C. Standard Switching Distance								
	Technical Data Type : EGT18X05-SEM4	DC Operating Voltage DC Operating Voltage	Technical Data Type : EGT18X08-SEM4					
Housing Material	Brass Nickel Plated	Housing Material	Brass Nickel Plated					
Environmental Protection	IP67	Environmental Protection	IP67					
Mounting Position	Optional	Mounting Position	Optional					
Operating Temperature (deg.C)	-25 to +70	Operating Temperature (deg.C)	-25 to +70					
Connection	Plug and Socket	Connection	Plug and Socket					
Cable Length (mm)	-	Cable Length (mm)	-					
Conductor Cross Section (mm²)	-	Conductor Cross Section (mm²)	-					
Sensing Distance Sn (mm)	Flush Fitting = 5	Sensing Distance Sn (mm)	Non-Flush Fitting = 8					
Switch Point Hysteresis H (mm)	0.5	Switch Point Hysteresis H (mm)	0.8					
Repeat Accuracy (mm)	0.2	Repeat Accuracy (mm)	0.4					
Operating Voltage (V)	10-30	Operating Voltage (V)	10-30					
Operating Voltage Ripple (%)	10	Operating Voltage Ripple (%)	10					
Load Current Ia (mA) max	250	Load Current Ia (mA) max	250					
Residual Current Ir (mA)	0.001	Residual Current Ir (mA)	0.001					
No-Load Current (mA)	15	No-Load Current (mA)	15					
Voltage Drop Ud (V)	2.5	Voltage Drop Ud (V)	2.5					
Internal Resistance Ri (K)	4.7	Internal Resistance Ri (K)	4.7					
Temperature Drift S (µm/K)	± 10	Temperature Drift S (µm/K)	± 16					
Switching Frequency (Hz)	500	Switching Frequency (Hz)	500					
Output Polarity	PNP		NPN		PNP		NPN	
Output Function	A=NO	U=NO+NC	A=NO	U=NO+NC	A=NO	U=NO+NC	A=NO	U=NO+NC
Connection Diagram	1	3	2	4	1	3	2	4
Short Circuit Protection	yes	yes	yes	yes	yes	yes	yes	yes
Status Indication	LED (see ordering code)				LED (see ordering code)			

Inductive Proximity Switches

Cylindrical Housing M18 x 1 EGT Version 2 Wire D.C. Standard Switching Distance				
	Technical Data	Type : EGT18X05-AD/RD		Type : EGT18X08-AD/RD
	DC Operating Voltage		DC Operating Voltage	
Housing Material	Brass Nickel Plated		Brass Nickel Plated	
Environmental Protection	IP67		IP67	
Mounting Position	Optional		Optional	
Operating Temperature (deg.C)	-25 to +70		-25 to +70	
Connection	Encapsulated Oil Resistant Cable		Encapsulated Oil Resistant Cable	
Cable Length (mm)	2000 or 5000		2000 or 5000	
Conductor Cross Section (mm ²)	0.34		0.34	
Sensing Distance Sn (mm)	Flush Fitting = 5		Non-Flush Fitting = 8	
Switch Point Hysteresis H (mm)	0.5		0.8	
Repeat Accuracy (mm)	0.2		0.4	
Operating Voltage (V)	10-30		10-30	
Operating Voltage Ripple (%)	10		10	
Load Current Ia (mA) max	200		200	
Residual Current Ir (mA)	1.0		1.0	
Holding Current Im (mA)	4		4	
Voltage Drop Ud (V)	7.5		7.5	
Internal Resistance Ri (K)	-		-	
Temperature Drift S (µm/K)	± 10		± 16	
Switching Frequency (Hz)	200		200	
Output Polarity				
Output Function	A=NO	R=NC	A=NO	R=NC
Connection Diagram	5	5	5	5
Short Circuit Protection	yes	yes	yes	yes
Status Indication	LED (see ordering code)		LED (see ordering code)	

Cylindrical Housing M18 x 1 EGT Version 2 Wire D.C. Standard Switching Distance				
	Technical Data	Type : EGT18X05-SEM4-AD/RD		Type : EGT18X08-SEM4-AD/RD
	DC Operating Voltage		DC Operating Voltage	
Housing Material	Brass Nickel Plated		Brass Nickel Plated	
Environmental Protection	IP67		IP67	
Mounting Position	Optional		Optional	
Operating Temperature (deg.C)	-25 to +70		-25 to +70	
Connection	Plug and Socket		Plug and Socket	
Cable Length (mm)	-		-	
Conductor Cross Section (mm ²)	-		-	
Sensing Distance Sn (mm)	Flush Fitting = 5		Non-Flush Fitting = 8	
Switch Point Hysteresis H (mm)	0.5		0.8	
Repeat Accuracy (mm)	0.2		0.4	
Operating Voltage (V)	10-30		10-30	
Operating Voltage Ripple (%)	10		10	
Load Current Ia (mA) max	200		200	
Residual Current Ir (mA)	1.0		1.0	
Holding Current Im (mA)	4		4	
Voltage Drop Ud (V)	7.5		7.5	
Internal Resistance Ri (K)	-		-	
Temperature Drift S (µm/K)	± 10		± 16	
Switching Frequency (Hz)	200		200	
Output Polarity				
Output Function	A=NO	R=NC	A=NO	R=NC
Connection Diagram	5	5	5	5
Short Circuit Protection	yes	yes	yes	yes
Status Indication	LED (see ordering code)		LED (see ordering code)	

Inductive Proximity Switches

Cylindrical Housing M18 x 1 EGT Version 2 Wire A.C. Standard Switching Distance				
	Type : EGT18X05 AW / RW		Type : EGT18X08 AW / RW	
Technical Data	AC Operating Voltage		AC Operating Voltage	
Housing Material	Brass Nickel Plated		Brass Nickel Plated	
Environmental Protection	IP67		IP67	
Mounting Position	Optional		Optional	
Operating Temperature (deg.C)	-25 to +70		-25 to +70	
Connection	Encapsulated Oil Resistant Cable		Encapsulated Oil Resistant Cable	
Cable Length (mm)	2000 or 5000		2000 or 5000	
Conductor Cross Section (mm ²)	0.5		0.5	
Sensing Distance Sn (mm)	Flush Fitting = 5		Non-Flush Fitting = 8	
Switch Point Hysteresis H (mm)	0.5		0.8	
Repeat Accuracy (mm)	0.2		0.4	
Operating Voltage (V)	90-250		90-250	
Load Current Ia (mA) max	250		250	
Inrush Current Ik (A) 20 ms	1.5		1.5	
Residual Current Ir (mA)	3		3	
Holding Current Ih (mA)	10		10	
Voltage Drop Ud (V)	9 (90-250 V)		9 (90-250 V)	
Internal Resistance Ri (K)	-		-	
Temperature Drift S (µm/K)	± 10		± 16	
Switching Frequency (Hz)	10		10	
Output Polarity	-		-	
Output Function	A=NO	R=NC	A=NO	R=NC
Connection Diagram	6	6	6	6
Short Circuit Protection	no	no	no	no
Status Indication	LED (see ordering code)		LED (see ordering code)	

Cylindrical Housing M18 x 1 EGT Version 2 Wire A.C. Standard Switching Distance				
Technical Data				
Housing Material				
Environmental Protection				
Mounting Position				
Operating Temperature (deg.C)				
Connection				
Cable Length (mm)				
Conductor Cross Section (mm ²)				
Sensing Distance Sn (mm)				
Switch Point Hysteresis H (mm)				
Repeat Accuracy (mm)				
Operating Voltage (V)				
Load Current Ia (mA) max				
Inrush Current Ik (A) 20 ms				
Residual Current Ir (mA)				
Holding Current Ih (mA)				
Voltage Drop Ud (V)				
Internal Resistance Ri (K)				
Temperature Drift S (µm/K)				
Switching Frequency (Hz)				
Output Polarity				
Output Function				
Connection Diagram				
Short Circuit Protection				
Status Indication				

Inductive Proximity Switches

Cylindrical Housing M30 x 1.5 EGT Version 3 / 4 Wire D.C. Standard Switching Distance								
	Technical Data Type : EGT30X10	Type : EGT30X15						
Housing Material	DC Operating Voltage	DC Operating Voltage						
Environmental Protection	Brass Nickel Plated	Brass Nickel Plated						
Mounting Position	IP67	IP67						
Operating Temperature (deg.C)	Optional	Optional						
Connection	-25 to +70	-25 to +70						
Cable Length (mm)	Encapsulated Oil Resistant Cable	Encapsulated Oil Resistant Cable						
Conductor Cross Section (mm²)	2000 or 5000	2000 or 5000						
Sensing Distance Sn (mm)	0.34	0.34						
Switch Point Hysteresis H (mm)	Flush Fitting = 10	Non-Flush Fitting = 15						
Repeat Accuracy (mm)	1.0	1.5						
Operating Voltage (V)	0.5	1.0						
Operating Voltage Ripple (%)	10-30	10-30						
Load Current Ia (mA) max	10	10						
Residual Current Ir (mA)	250	250						
No-Load Current (mA)	0.001	0.001						
Voltage Drop Ud (V)	15	15						
Internal Resistance Ri (K)	2.5	2.5						
Temperature Drift S (µm/K)	4.7	4.7						
Switching Frequency (Hz)	± 20	± 30						
Output Polarity	300	300						
Output Function	PNP	NPN	PNP	NPN				
Connection Diagram	A=NO	U=NO+NC	A=NO	U=NO+NC	A=NO	U=NO+NC	A=NO	U=NO+NC
Short Circuit Protection	1	3	2	4	1	3	2	4
Status Indication	yes	yes	yes	yes	yes	yes	yes	yes
	LED (see ordering code)				LED (see ordering code)			

Cylindrical Housing M30 x 1.5 EGT Version 3 / 4 Wire D.C. Standard Switching Distance								
	Technical Data Type : EGT30X10-SEM4	Type : EGT30X15-SEM4						
Housing Material	DC Operating Voltage	DC Operating Voltage						
Environmental Protection	Brass Nickel Plated	Brass Nickel Plated						
Mounting Position	IP67	IP67						
Operating Temperature (deg.C)	Optional	Optional						
Connection	-25 to +70	-25 to +70						
Cable Length (mm)	Plug and Socket	Plug and Socket						
Conductor Cross Section (mm²)	-	-						
Sensing Distance Sn (mm)	0.34	0.34						
Switch Point Hysteresis H (mm)	Flush Fitting = 10	Non-Flush Fitting = 15						
Repeat Accuracy (mm)	1.0	1.5						
Operating Voltage (V)	0.5	1.0						
Operating Voltage Ripple (%)	10-30	10-30						
Load Current Ia (mA) max	10	10						
Residual Current Ir (mA)	250	250						
No-Load Current (mA)	0.001	0.001						
Voltage Drop Ud (V)	15	15						
Internal Resistance Ri (K)	2.5	2.5						
Temperature Drift S (µm/K)	4.7	4.7						
Switching Frequency (Hz)	± 20	± 30						
Output Polarity	300	300						
Output Function	PNP	NPN	PNP	NPN				
Connection Diagram	A=NO	U=NO+NC	A=NO	U=NO+NC	A=NO	U=NO+NC	A=NO	U=NO+NC
Short Circuit Protection	1	3	2	4	1	3	2	4
Status Indication	yes	yes	yes	yes	yes	yes	yes	yes
	LED (see ordering code)				LED (see ordering code)			

Inductive Proximity Switches

Cylindrical Housing M30 x 1.5 EGT Version 2 Wire A.C. Standard Switching Distance		
	Type : EGT30X10 AW / RW	Type : EGT30X15 AW / RW
Technical Data	AC Operating Voltage	
Housing Material	Brass Nickel Plated	
Environmental Protection	IP67	
Mounting Position	Optional	
Operating Temperature (deg.C)	-25 to +70	
Connection	Encapsulated Oil Resistant Cable	
Cable Length (mm)	2000 or 5000	
Conductor Cross Section (mm ²)	0.5	
Sensing Distance Sn (mm)	Flush Fitting = 10	
Switch Point Hysteresis H (mm)	1.0	
Repeat Accuracy (mm)	0.3	
Operating Voltage (V)	90-250	
Load Current Ia (mA) max	250	
Inrush Current Ik (A) 20 ms	1.5	
Residual Current Ir (mA)	3	
Holding Current Ih (mA)	10	
Voltage Drop Ud (V)	9 (90-250 V)	
Internal Resistance Ri (K)	-	
Temperature Drift S (µm/K)	± 20	
Switching Frequency (Hz)	10	
Output Polarity	-	
Output Function	A=NO	R=NC
Connection Diagram	6	6
Short Circuit Protection	no	no
Status Indication	LED (see ordering code)	

Cylindrical Housing M30 x 1.5 EGT Version 2 Wire D.C. Standard Switching Distance		
	Type : EGT30X10 AD / RD	Type : EGT30X15 AD / RD
Technical Data	DC Operating Voltage	
Housing Material	Brass Nickel Plated	
Environmental Protection	IP67	
Mounting Position	Optional	
Operating Temperature (deg.C)	-25 to +70	
Connection	Encapsulated Oil Resistant Cable	
Cable Length (mm)	2000 or 5000	
Conductor Cross Section (mm ²)	0.34	
Sensing Distance Sn (mm)	Flush Fitting = 10	
Switch Point Hysteresis H (mm)	1.0	
Repeat Accuracy (mm)	0.3	
Operating Voltage (V)	10-30	
Operating Voltage Ripple (%)	10	
Load Current Ia (mA) max	200	
Residual Current Ir (mA)	1.0	
Holding Current Im (mA)	4	
Voltage Drop Ud (V)	4.5	
Internal Resistance Ri (K)	-	
Temperature Drift S (µm/K)	± 20	
Switching Frequency (Hz)	200	
Output Polarity	-	
Output Function	A=NO	R=NC
Connection Diagram	5	5
Short Circuit Protection	yes	yes
Status Indication	LED (see ordering code)	

Inductive Proximity Switches

Cylindrical Housing M8 x 1 EGL Version 3 Wire D.C. Standard Switching Distance				
	Type : EGL08X01		Type : EGL08X1,5	
Technical Data	DC Operating Voltage		DC Operating Voltage	
Housing Material	Stainless Steel		Stainless Steel	
Environmental Protection	IP67		IP67	
Mounting Position	Optional		Optional	
Operating Temperature (deg.C)	-25 to +70		-25 to +70	
Connection	Encapsulated Oil Resistant Cable		Encapsulated Oil Resistant Cable	
Cable Length (mm)	2000 or 5000		2000 or 5000	
Conductor Cross Section (mm ²)	0.14		0.14	
Sensing Distance Sn (mm)	Flush Fitting = 1		Flush Fitting = 1.5	
Switch Point Hysteresis H (mm)	0.15		0.2	
Repeat Accuracy (mm)	0.05		0.1	
Operating Voltage (V)	10-30		10-30	
Operating Voltage Ripple (%)	10		10	
Load Current Ia (mA) max	250		250	
Residual Current Ir (mA)	0.001		0.001	
No-Load Current (mA)	11		11	
Voltage Drop Ud (V)	1.3		1.3	
Internal Resistance Ri (K)	10		10	
Temperature Drift S (µm/K)	± 3		± 3	
Switching Frequency (Hz)	2000		2000	
Output Polarity	PNP		NPN	
Output Function	A=NO	A=NO	A=NO	A=NO
Connection Diagram	1	2	1	2
Short Circuit Protection	yes	yes	yes	yes
Status Indication	LED (see ordering code)		LED (see ordering code)	

Cylindrical Housing M8 x 1 EGL Version 3 Wire D.C. Standard Switching Distance				
	Type : EGL08X01-SEM3		Type : EGL08X1,5-SEM3	
Technical Data	DC Operating Voltage		DC Operating Voltage	
Housing Material	Stainless Steel		Stainless Steel	
Environmental Protection	IP67		IP67	
Mounting Position	Optional		Optional	
Operating Temperature (deg.C)	-25 to +70		-25 to +70	
Connection	Plug and Socket		Plug and Socket	
Cable Length (mm)	-		-	
Conductor Cross Section (mm ²)	-		-	
Sensing Distance Sn (mm)	Flush Fitting = 1		Flush Fitting = 1.5	
Switch Point Hysteresis H (mm)	0.15		0.2	
Repeat Accuracy (mm)	0.05		0.1	
Operating Voltage (V)	10-30		10-30	
Operating Voltage Ripple (%)	10		10	
Load Current Ia (mA) max	250		250	
Residual Current Ir (mA)	0.001		0.001	
No-Load Current (mA)	11		11	
Voltage Drop Ud (V)	1.3		1.3	
Internal Resistance Ri (K)	10		10	
Temperature Drift S (µm/K)	± 3		± 3	
Switching Frequency (Hz)	2000		2000	
Output Polarity	PNP		NPN	
Output Function	A=NO	A=NO	A=NO	A=NO
Connection Diagram	1	2	1	2
Short Circuit Protection	yes	yes	yes	yes
Status Indication	LED (see ordering code)		LED (see ordering code)	

Inductive Proximity Switches

Cylindrical Housing M12 x 1 EGL Version 3 Wire D.C. Standard Switching Distance								
	Type : EGL12X02		Type : EGL12X04					
Technical Data	DC Operating Voltage		DC Operating Voltage					
Housing Material	Brass Nickel Plated		Brass Nickel Plated					
Environmental Protection	IP67		IP67					
Mounting Position	Optional		Optional					
Operating Temperature (deg.C)	-25 to +70		-25 to +70					
Connection	Encapsulated Oil Resistant Cable		Encapsulated Oil Resistant Cable					
Cable Length (mm)	2000 or 5000		2000 or 5000					
Conductor Cross Section (mm ²)	0.34		0.34					
Sensing Distance Sn (mm)	Flush Fitting = 2		Non-Flush Fitting = 4					
Switch Point Hysteresis H (mm)	0.2		0.6					
Repeat Accuracy (mm)	0.1		0.3					
Operating Voltage (V)	10-30		10-30					
Operating Voltage Ripple (%)	10		10					
Load Current Ia (mA) max	250		250					
Residual Current Ir (mA)	0.001		0.001					
No-Load Current (mA)	15		15					
Voltage Drop Ud (V)	2.5		2.5					
Internal Resistance Ri (K)	4.7		4.7					
Temperature Drift S (µm/K)	± 4		± 8					
Switching Frequency (Hz)	1000		1000					
Output Polarity	PNP		NPN					
Output Function	A=NO	U=NO+NC	A=NO	U=NO+NC	A=NO	U=NO+NC	A=NO	U=NO+NC
Connection Diagram	1	3	2	4	1	3	2	4
Short Circuit Protection	yes	yes	yes	yes	yes	yes	yes	yes
Status Indication	LED (see ordering code)				LED (see ordering code)			

Cylindrical Housing M12 x 1 EGL Version 3 Wire D.C. Standard Switching Distance								
	Type : EGL12X02-SEM4		Type : EGL12X04-SEM4					
Technical Data	DC Operating Voltage		DC Operating Voltage					
Housing Material	Brass Nickel Plated		Brass Nickel Plated					
Environmental Protection	IP67		IP67					
Mounting Position	Optional		Optional					
Operating Temperature (deg.C)	-25 to +70		-25 to +70					
Connection	Plug and Socket		Plug and Socket					
Cable Length (mm)	-		-					
Conductor Cross Section (mm ²)	-		-					
Sensing Distance Sn (mm)	Flush Fitting = 2		Non-Flush Fitting = 4					
Switch Point Hysteresis H (mm)	0.2		0.6					
Repeat Accuracy (mm)	0.1		0.3					
Operating Voltage (V)	10-30		10-30					
Operating Voltage Ripple (%)	10		10					
Load Current Ia (mA) max	250		250					
Residual Current Ir (mA)	0.001		0.001					
No-Load Current (mA)	15		15					
Voltage Drop Ud (V)	2.5		2.5					
Internal Resistance Ri (K)	4.7		4.7					
Temperature Drift S (µm/K)	± 4		± 8					
Switching Frequency (Hz)	1000		1000					
Output Polarity	PNP		NPN					
Output Function	A=NO	U=NO+NC	A=NO	U=NO+NC	A=NO	U=NO+NC	A=NO	U=NO+NC
Connection Diagram	1	3	2	4	1	3	2	4
Short Circuit Protection	yes	yes	yes	yes	yes	yes	yes	yes
Status Indication	LED (see ordering code)				LED (see ordering code)			

Inductive Proximity Switches

Cylindrical Housing M12 x 1 EGL Version 2 Wire D.C. Standard Switching Distance				
	Technical Data	Type : EGL12X02-AD/RD		Type : EGL12X04-AD/RD
	DC Operating Voltage		DC Operating Voltage	
Housing Material	Brass Nickel Plated		Brass Nickel Plated	
Environmental Protection	IP67		IP67	
Mounting Position	Optional		Optional	
Operating Temperature (deg.C)	-25 to +70		-25 to +70	
Connection	Encapsulated Oil Resistant Cable		Encapsulated Oil Resistant Cable	
Cable Length (mm)	2000 or 5000		2000 or 5000	
Conductor Cross Section (mm ²)	0.34		0.34	
Sensing Distance Sn (mm)	Flush Fitting = 2		Non-Flush Fitting = 4	
Switch Point Hysteresis H (mm)	0.2		0.6	
Repeat Accuracy (mm)	0.1		0.3	
Operating Voltage (V)	10-30		10-30	
Operating Voltage Ripple (%)	10		10	
Load Current Ia (mA) max	200		200	
Residual Current Ir (mA)	1.0		1.0	
Holding Current Im (mA)	4		4	
Voltage Drop Ud (V)	7.5		7.5	
Internal Resistance Ri (K)	-		-	
Temperature Drift S (µm/K)	± 4		± 8	
Switching Frequency (Hz)	400		400	
Output Polarity	-		-	
Output Function	A=NO	R=NC	A=NO	R=NC
Connection Diagram	5	5	5	5
Short Circuit Protection	yes	yes	yes	yes
Status Indication	LED (see ordering code)		LED (see ordering code)	

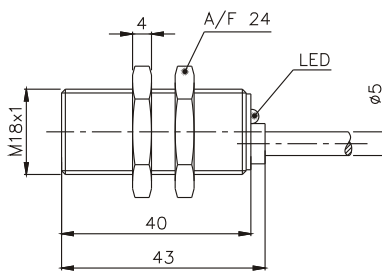
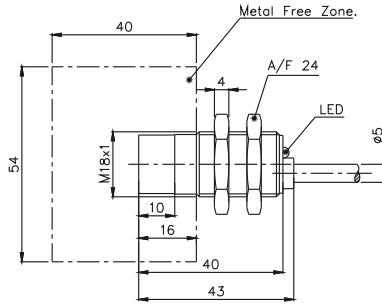
Cylindrical Housing M12 x 1 EGL Version 2 Wire D.C. Standard Switching Distance				
	Technical Data	Type : EGL12X02-SEM4-AD/RD		Type : EGL12X04-SEM4-AD/RD
	DC Operating Voltage		DC Operating Voltage	
Housing Material	Brass Nickel Plated		Brass Nickel Plated	
Environmental Protection	IP67		IP67	
Mounting Position	Optional		Optional	
Operating Temperature (deg.C)	-25 to +70		-25 to +70	
Connection	Plug and Socket		Plug and Socket	
Cable Length (mm)	-		-	
Conductor Cross Section (mm ²)	-		-	
Sensing Distance Sn (mm)	Flush Fitting = 2		Non-Flush Fitting = 4	
Switch Point Hysteresis H (mm)	0.2		0.6	
Repeat Accuracy (mm)	0.1		0.3	
Operating Voltage (V)	10-30		10-30	
Operating Voltage Ripple (%)	10		10	
Load Current Ia (mA) max	200		200	
Residual Current Ir (mA)	1.0		1.0	
Holding Current Im (mA)	4		4	
Voltage Drop Ud (V)	7.5		7.5	
Internal Resistance Ri (K)	-		-	
Temperature Drift S (µm/K)	± 4		± 8	
Switching Frequency (Hz)	400		400	
Output Polarity	-		-	
Output Function	A=NO	R=NC	A=NO	R=NC
Connection Diagram	5	5	5	5
Short Circuit Protection	yes	yes	yes	yes
Status Indication	LED (see ordering code)		LED (see ordering code)	

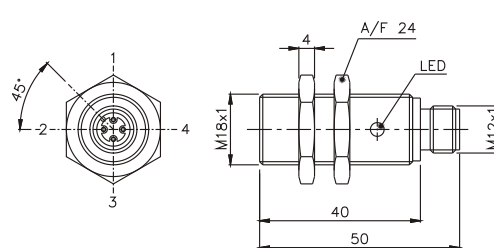
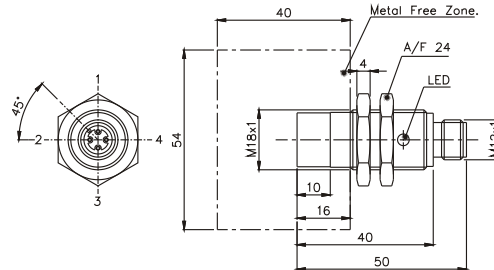
Inductive Proximity Switches

Cylindrical Housing M18 x 1 EGL Version 3 Wire D.C. Standard Switching Distance				
	Technical Data	Type : EGL18X05	Type : EGL18X08	
	DC Operating Voltage		DC Operating Voltage	
Housing Material	Brass Nickel Plated		Brass Nickel Plated	
Environmental Protection	IP67		IP67	
Mounting Position	Optional		Optional	
Operating Temperature (deg.C)	-25 to +70		-25 to +70	
Connection	Encapsulated Oil Resistant Cable		Encapsulated Oil Resistant Cable	
Cable Length (mm)	2000 or 5000		2000 or 5000	
Conductor Cross Section (mm ²)	0.34		0.34	
Sensing Distance Sn (mm)	Flush Fitting = 5		Non-Flush Fitting = 8	
Switch Point Hysteresis H (mm)	0.5		0.8	
Repeat Accuracy (mm)	0.2		0.4	
Operating Voltage (V)	10-30		10-30	
Operating Voltage Ripple (%)	10		10	
Load Current Ia (mA) max	250		250	
Residual Current Ir (mA)	0.001		0.001	
No-Load Current (mA)	15		15	
Voltage Drop Ud (V)	2.5		2.5	
Internal Resistance Ri (K)	4.7		4.7	
Temperature Drift S (µm/K)	± 10		± 16	
Switching Frequency (Hz)	500		500	
Output Polarity	PNP		NPN	
Output Function	A=NO	U=NO+NC	A=NO	U=NO+NC
Connection Diagram	1	3	2	4
Short Circuit Protection	yes	yes	yes	yes
Status Indication	LED (see ordering code)		LED (see ordering code)	

Cylindrical Housing M18 x 1 EGL Version 3 Wire D.C. Standard Switching Distance				
	Technical Data	Type : EGL18X05-SEM4	Type : EGL18X08-SEM4	
	DC Operating Voltage		DC Operating Voltage	
Housing Material	Brass Nickel Plated		Brass Nickel Plated	
Environmental Protection	IP67		IP67	
Mounting Position	Optional		Optional	
Operating Temperature (deg.C)	-25 to +70		-25 to +70	
Connection	Plug and Socket		Plug and Socket	
Cable Length (mm)	-		-	
Conductor Cross Section (mm ²)	-		-	
Sensing Distance Sn (mm)	Flush Fitting = 5		Non-Flush Fitting = 8	
Switch Point Hysteresis H (mm)	0.5		0.8	
Repeat Accuracy (mm)	0.2		0.4	
Operating Voltage (V)	10-30		10-30	
Operating Voltage Ripple (%)	10		10	
Load Current Ia (mA) max	250		250	
Residual Current Ir (mA)	0.001		0.001	
No-Load Current (mA)	15		15	
Voltage Drop Ud (V)	2.5		2.5	
Internal Resistance Ri (K)	4.7		4.7	
Temperature Drift S (µm/K)	± 10		± 16	
Switching Frequency (Hz)	500		500	
Output Polarity	PNP		NPN	
Output Function	A=NO	U=NO+NC	A=NO	U=NO+NC
Connection Diagram	1	3	2	4
Short Circuit Protection	yes	yes	yes	yes
Status Indication	LED (see ordering code)		LED (see ordering code)	

Inductive Proximity Switches

Cylindrical Housing M18 x 1 EGL Version 2 Wire D.C. Standard Switching Distance				
	Technical Data	Type : EGL18X05-AD/RD	Type : EGL18X08-AD/RD	
Housing Material	DC Operating Voltage		DC Operating Voltage	
Environmental Protection	Brass Nickel Plated		Brass Nickel Plated	
Mounting Position	IP67		IP67	
Operating Temperature (deg.C)	Optional		Optional	
Connection	-25 to +70		-25 to +70	
Cable Length (mm)	Encapsulated Oil Resistant Cable		Encapsulated Oil Resistant Cable	
Conductor Cross Section (mm ²)	2000 or 5000		2000 or 5000	
Sensing Distance Sn (mm)	0.34		0.34	
Switch Point Hysteresis H (mm)	Flush Fitting = 5		Non-Flush Fitting = 8	
Repeat Accuracy (mm)	0.5		0.8	
Operating Voltage (V)	0.2		0.4	
Operating Voltage Ripple (%)	10-30		10-30	
Load Current Ia (mA) max	10		10	
Residual Current Ir (mA)	200		200	
Holding Current Im (mA)	1.0		1.0	
Voltage Drop Ud (V)	4		4	
Internal Resistance Ri (K)	7.5		7.5	
Temperature Drift S (µm/K)	-		-	
Switching Frequency (Hz)	± 10		± 16	
Output Polarity	200		200	
Output Function	A=NO	R=NC	A=NO	R=NC
Connection Diagram	5	5	5	5
Short Circuit Protection	yes	yes	yes	yes
Status Indication	LED (see ordering code)		LED (see ordering code)	

Cylindrical Housing M18 x 1 EGL Version 2 Wire D.C. Standard Switching Distance				
	Technical Data	Type : EGL18X05-SEM4-AD/RD	Type : EGL18X08-SEM4-AD/RD	
Housing Material	DC Operating Voltage		DC Operating Voltage	
Environmental Protection	Brass Nickel Plated		Brass Nickel Plated	
Mounting Position	IP67		IP67	
Operating Temperature (deg.C)	Optional		Optional	
Connection	-25 to +70		-25 to +70	
Cable Length (mm)	Plug and Socket		Plug and Socket	
Conductor Cross Section (mm ²)	-		-	
Sensing Distance Sn (mm)	-		-	
Switch Point Hysteresis H (mm)	Flush Fitting = 5		Non-Flush Fitting = 8	
Repeat Accuracy (mm)	0.5		0.8	
Operating Voltage (V)	0.2		0.4	
Operating Voltage Ripple (%)	10-30		10-30	
Load Current Ia (mA) max	10		10	
Residual Current Ir (mA)	200		200	
Holding Current Im (mA)	1.0		1.0	
Voltage Drop Ud (V)	4		4	
Internal Resistance Ri (K)	7.5		7.5	
Temperature Drift S (µm/K)	-		-	
Switching Frequency (Hz)	± 10		± 16	
Output Polarity	200		200	
Output Function	A=NO	R=NC	A=NO	R=NC
Connection Diagram	5	5	5	5
Short Circuit Protection	yes	yes	yes	yes
Status Indication	LED (see ordering code)		LED (see ordering code)	

Inductive Proximity Switches

Cylindrical Housing M12 x 1 EGL Version 3 Wire D.C. Extended Switching Distance		
	Type : EGL12B04	
Technical Data	DC Operating Voltage	
Housing Material	Brass Nickel Plated	
Environmental Protection	IP67	
Mounting Position	Optional	
Operating Temperature (deg.C)	-25 to +70	
Connection	Encapsulated Oil Resistant Cable	
Cable Length (mm)	2000 or 5000	
Conductor Cross Section (mm ²)	0.34	
Sensing Distance Sn (mm)	Flush Fitting = 4	
Switch Point Hysteresis H (mm)	0.4	
Repeat Accuracy (mm)	0.2	
Operating Voltage (V)	10-30	
Operating Voltage Ripple (%)	10	
Load Current Ia (mA) max	200	
Residual Current Ir (mA)	0.001	
No-Load Current (mA)	15	
Voltage Drop Ud (V)	2.5	
Internal Resistance Ri (K)	4.7	
Temperature Drift S (µm/K)	± 8	
Switching Frequency (Hz)	1000	
Output Polarity	PNP	
Output Function	A=NO	U=NO+NC
Connection Diagram	1	3
Short Circuit Protection	yes	yes
Status Indication	LED (see ordering code)	

Cylindrical Housing M12 x 1 EGL Version 3 Wire D.C. Extended Switching Distance		
	Type : EGL12B04-SEM4	
Technical Data	DC Operating Voltage	
Housing Material	Brass Nickel Plated	
Environmental Protection	IP67	
Mounting Position	Optional	
Operating Temperature (deg.C)	-25 to +70	
Connection	Plug and Socket	
Cable Length (mm)	-	
Conductor Cross Section (mm ²)	-	
Sensing Distance Sn (mm)	Flush Fitting = 4	
Switch Point Hysteresis H (mm)	0.4	
Repeat Accuracy (mm)	0.2	
Operating Voltage (V)	10-30	
Operating Voltage Ripple (%)	10	
Load Current Ia (mA) max	200	
Residual Current Ir (mA)	0.001	
No-Load Current (mA)	15	
Voltage Drop Ud (V)	2.5	
Internal Resistance Ri (K)	4.7	
Temperature Drift S (µm/K)	± 8	
Switching Frequency (Hz)	1000	
Output Polarity	PNP	
Output Function	A=NO	U=NO+NC
Connection Diagram	1	3
Short Circuit Protection	yes	yes
Status Indication	LED (see ordering code)	

Inductive Proximity Switches

Cylindrical Housing M18 x 1 EGL Version 3 Wire D.C. Extended Switching Distance				
	Technical Data	Type : EGL18B08		
	DC Operating Voltage			
Housing Material	Brass Nickel Plated			
Environmental Protection	IP67			
Mounting Position	Optional			
Operating Temperature (deg.C)	-25 to +70			
Connection	Encapsulated Oil Resistant Cable			
Cable Length (mm)	2000 or 5000			
Conductor Cross Section (mm ²)	0.34			
Sensing Distance Sn (mm)	Flush Fitting = 8			
Switch Point Hysteresis H (mm)	0.8			
Repeat Accuracy (mm)	0.4			
Operating Voltage (V)	10-30			
Operating Voltage Ripple (%)	10			
Load Current Ia (mA) max	200			
Residual Current Ir (mA)	0.001			
No-Load Current (mA)	15			
Voltage Drop Ud (V)	2.5			
Internal Resistance Ri (K)	4.7			
Temperature Drift S (µm/K)	± 12			
Switching Frequency (Hz)	500			
Output Polarity	PNP		NPN	
Output Function	A=NO	U=NO+NC	A=NO	U=NO+NC
Connection Diagram	1	3	2	4
Short Circuit Protection	yes	yes	yes	yes
Status Indication	LED (see ordering code)			

Cylindrical Housing M18 x 1 EGL Version 3 Wire D.C. Extended Switching Distance				
	Technical Data	Type : EGL18B08-SEM4		
	DC Operating Voltage			
Housing Material	Brass Nickel Plated			
Environmental Protection	IP67			
Mounting Position	Optional			
Operating Temperature (deg.C)	-25 to +70			
Connection	Plug and Socket			
Cable Length (mm)	-			
Conductor Cross Section (mm ²)	-			
Sensing Distance Sn (mm)	Flush Fitting = 8			
Switch Point Hysteresis H (mm)	0.8			
Repeat Accuracy (mm)	0.4			
Operating Voltage (V)	10-30			
Operating Voltage Ripple (%)	10			
Load Current Ia (mA) max	200			
Residual Current Ir (mA)	0.001			
No-Load Current (mA)	15			
Voltage Drop Ud (V)	2.5			
Internal Resistance Ri (K)	4.7			
Temperature Drift S (µm/K)	± 12			
Switching Frequency (Hz)	500			
Output Polarity	PNP		NPN	
Output Function	A=NO	U=NO+NC	A=NO	U=NO+NC
Connection Diagram	1	3	2	4
Short Circuit Protection	yes	yes	yes	yes
Status Indication	LED (see ordering code)			

Inductive Proximity Switches

Cylindrical Housing M30 x 1.5 EGL Version 3 Wire D.C. Standard Switching Distance								
	Technical Data	Type : EGL30X10		Type : EGL30X15				
	DC Operating Voltage		DC Operating Voltage					
Housing Material	Brass Nickel Plated		Brass Nickel Plated					
Environmental Protection	IP67		IP67					
Mounting Position	Optional		Optional					
Operating Temperature (deg.C)	-25 to +70		-25 to +70					
Connection	Encapsulated Oil Resistant Cable		Encapsulated Oil Resistant Cable					
Cable Length (mm)	2000 or 5000		2000 or 5000					
Conductor Cross Section (mm ²)	0.34		0.34					
Sensing Distance Sn (mm)	Flush Fitting = 10		Non-Flush Fitting = 15					
Switch Point Hysteresis H (mm)	1.0		1.5					
Repeat Accuracy (mm)	0.5		1.0					
Operating Voltage (V)	10-30		10-30					
Operating Voltage Ripple (%)	10		10					
Load Current Ia (mA) max	250		250					
Residual Current Ir (mA)	0.001		0.001					
No-Load Current (mA)	15		15					
Voltage Drop Ud (V)	2.5		2.5					
Internal Resistance Ri (K)	4.7		4.7					
Temperature Drift S (µm/K)	± 20		± 30					
Switching Frequency (Hz)	300		300					
Output Polarity	PNP		NPN					
Output Function	A=NO	U=NO+NC	A=NO	U=NO+NC	A=NO	U=NO+NC	A=NO	U=NO+NC
Connection Diagram	1	3	2	4	1	3	2	4
Short Circuit Protection	yes	yes	yes	yes	yes	yes	yes	yes
Status Indication	LED (see ordering code)				LED (see ordering code)			

Cylindrical Housing M30 x 1.5 EGL Version 3 Wire D.C. Standard Switching Distance								
	Technical Data	Type : EGL30X10-SEM4		Type : EGL30X15-SEM4				
	DC Operating Voltage		DC Operating Voltage					
Housing Material	Brass Nickel Plated		Brass Nickel Plated					
Environmental Protection	IP67		IP67					
Mounting Position	Optional		Optional					
Operating Temperature (deg.C)	-25 to +70		-25 to +70					
Connection	Plug and Socket		Plug and Socket					
Cable Length (mm)	-		-					
Conductor Cross Section (mm ²)	-		-					
Sensing Distance Sn (mm)	Flush Fitting = 10		Non-Flush Fitting = 15					
Switch Point Hysteresis H (mm)	1.0		1.5					
Repeat Accuracy (mm)	0.5		1.0					
Operating Voltage (V)	10-30		10-30					
Operating Voltage Ripple (%)	10		10					
Load Current Ia (mA) max	250		250					
Residual Current Ir (mA)	0.001		0.001					
No-Load Current (mA)	15		15					
Voltage Drop Ud (V)	2.5		2.5					
Internal Resistance Ri (K)	4.7		4.7					
Temperature Drift S (µm/K)	± 20		± 30					
Switching Frequency (Hz)	300		300					
Output Polarity	PNP		NPN					
Output Function	A=NO	U=NO+NC	A=NO	U=NO+NC	A=NO	U=NO+NC	A=NO	U=NO+NC
Connection Diagram	1	3	2	4	1	3	2	4
Short Circuit Protection	yes	yes	yes	yes	yes	yes	yes	yes
Status Indication	LED (see ordering code)				LED (see ordering code)			

